

Datasheets

Mobile oven rack model 20-1/1 - bakery standard (400 x 600 mm)



Article number

60.21.292

Description

Mobile oven rack to hold 400 x 600 mm bakery standard accessories and the convenient and safe loading of the cooking system



Intended use

This product is only intended for commercial use, such as in restaurant kitchens or catering operations for schools, hospitals, or delis. Any other use runs counter to its intended purpose, and could be dangerous. Any other use runs counter to its intended purpose, and could be dangerous.

Features

- L rails with front upstand as slide protection
- Set as slide protection to the rear
- 4 tandem castors (of which 2 are lockable)
- Removable drip tray. Can be emptied via the drain
- Removable handle
- 16 support rails with a 81 mm rail distance

Capacity

400 x 600 mm	Perforated aluminium baking trays	16 x
400 x 600 mm	Roasting and baking tray	16 x
400 x 600 mm	Grid	16 x

Technical specifications

Space between bottom rack and cooking cabinet opening:	104 mm
Space between top rack up to the cooking cabinet opening:	131 mm
Max. rack height:	1,62 m
Max. load size:	90 kg
Max. load size per level:	15 kg

Dimensions and weights

Width (W):	566 mm
Height (H):	1.742 mm
Depth (D):	841 mm
Weight:	37,7 kg

Material

Rust-free stainless steel (CNS 1.4301/AISI 304)

Tandem castors - plastics, metal parts made from CNS

Datasheets

Mobile oven rack model 20-1/1 - bakery standard (400 x 600 mm)

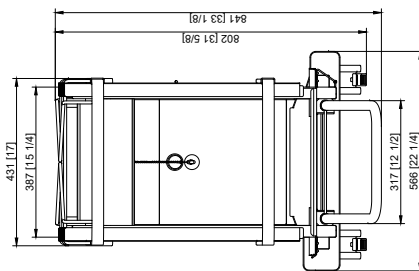
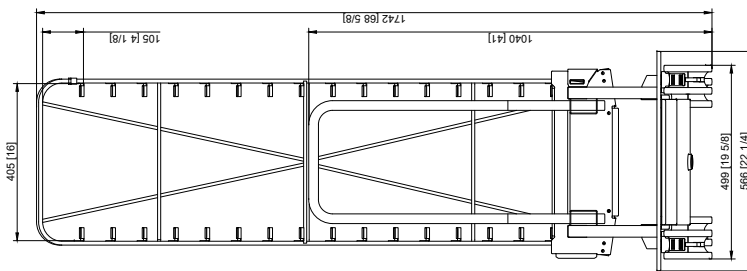
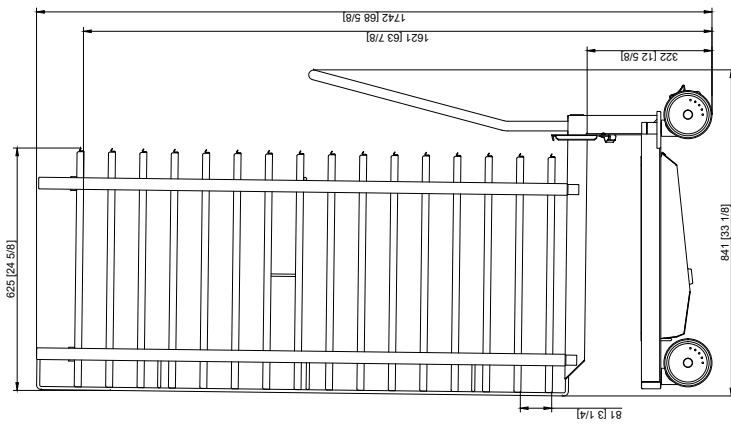


Option

- Please note that the air baffle in the cooking cabinet differs by 400x600 mm between the GN version and the baking version
- The air baffle can be obtained from your RATIONAL service partner as a spare part.
- Please refer to the original manual of the associated device for cleaning and care instructions
- Positioning aid for core probe
- Thermocover

Datasheets

Mobile oven rack model 20-1/1 - bakery standard (400 x 600 mm)



Information/Information		Anschluss/Connection	
Zeichnungsausdruck unterliegt nicht dem Änderungsdienst Drawing is not automatically updated La mise à jour n'est pas assurée de façon papérisée		60.21.202 Mobile oven rack-Combi 20-11 (16 pairs of rails) Baking	
©RATIONAL AG 2024		Date/Date/Date	
Revision/Revision/Revision		Date/Date/Date	
Index/Date/Date		Name/Name/Name	
1		1	
2		2	
3		3	
4		4	
5			
6			